

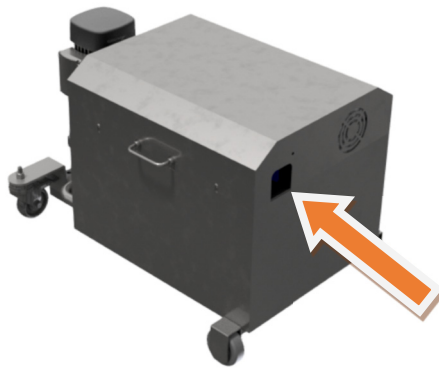
# TANK SKID SANITATION

## Summary

Your Homogenizer Water Recycling System (HWRS) requires Preventative Maintenance and Sanitation procedures in order to function normally. One important Sanitation Procedure is the inspection and sanitation of the Tank Skid. Below are steps for proper sanitary care of the Model V5 Tank Skid.

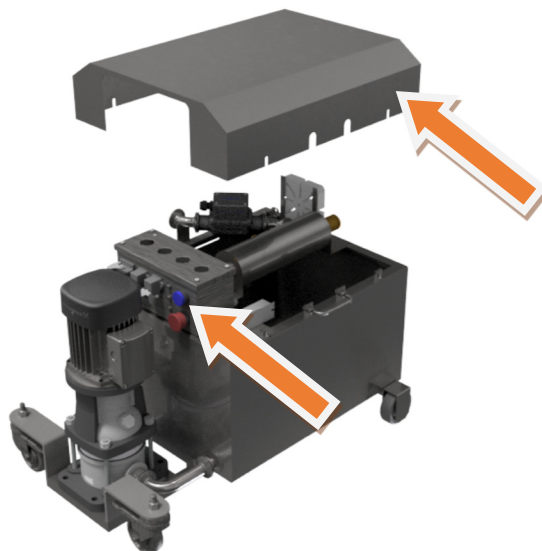
### 1: Visual Inspection (Daily)

Lift the Sight Door on the side of the Tank Skid to visually inspect for build-up and/or impurities inside the Tank.



### 2: Rinse (As Needed)

Upon inspection and notice of impurity, push the blue-colored button labeled "DRAIN" and remove the Lid Cover. Set the Lid Cover aside in the down position. Rinse the inside of the Tank and avoid directly spraying components on the Lid. If rinsing is sufficient, replace Lid Cover and press the "DRAIN" button again. The drain button light should be off when finished.



### 3: Rinse & Brush (As Needed)

If impurities and/or build-up require brushing, remove the Lid Cover and press the "DRAIN" button as described in Step 2. In addition, disconnect pipe from the Homogenizer and disconnect the cables attached to the Tank Skid Junction Box (cables labeled: "AC, DC, PUMP, DRAIN, PRIME, & LEVEL"). Once the cables are disconnected, the Lid can be hinged (be careful not to allow the lid to fall forward) or removed completely.

Being careful not to spray components or cable connectors, rinse and brush the inside of the Tank until impurities and/or build-up are removed. Use standard sanitizing agents if necessary. When finished, Replace Lid, Cables (be sure cable connectors are dry), Lid Cover and reattach the Homogenizer pipe. If the "DRAIN" button is still illuminated, press the button.

